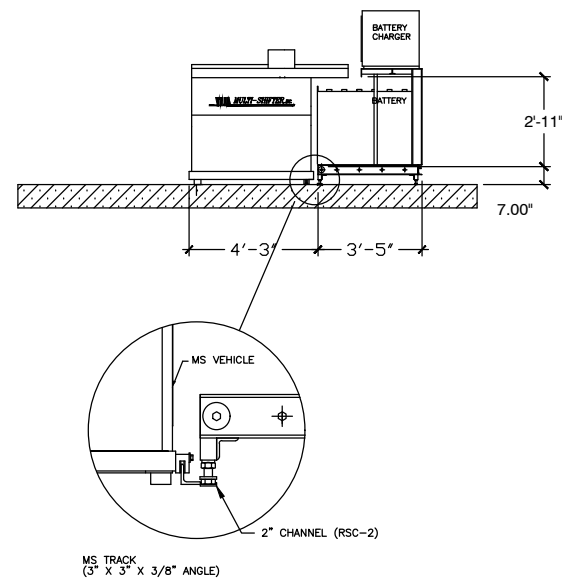


TRACK/STAND DETAILS
N.T.S.



GENERAL NOTES:
ALL DIMENSIONS UNLESS OTHERWISE SPECIFIED ARE IN INCHES.
BATTERY DECALS SHOULD BE LOCATED AWAY FROM AREA OF MAGNET CONTACT.

SYSTEM SPECIFICATIONS:
TO ENSURE PROPER SYSTEM OPERATION
CONCRETE LOAD CAPACITY - 3000 PSI
FLOOR SURFACE AT DRIVE WHEEL MUST BE CLEAN AND DRY.
CHARGER HOOKUP FOR MS4-14 230/480 VOLT AC SINGLE PHASE, 7.0/3.0 AMP.
CHARGER SHELF - 24" DEEP
DOUBLE STACKING OF CHARGERS ACCEPTABLE.
QUANTITIES AND DIMENSIONS MAY AFFECT CHARGER TO BATTERY RELATIONSHIP.
ALTERNATE BATTERY STORAGE CONFIGURATIONS AVAILABLE UPON REQUEST.
VEHICLE GUIDE PATH MUST BE LEVEL + OR - 1/4" IN 10 FEET.

EQUIPMENT DESCRIPTION										
MS4-14-A1-6.5-23.5-MAG-DC										
BATTERY DESCRIPTION										
TYPE	TRUCK MAKE & MODELS	QTY. TRUCKS	TOTAL BATTs.	QTY. STORED	FUTURE STORED	ROLLER HEIGHT	BATTERY WEIGHT	BATTERY LENGTH	BATTERY WIDTH	BATTERY HEIGHT
A	CROWN TSP7000	10	20	10	X	9.7"	X	38.25	17.88	30.50
B	CROWN RM6000	6	12	6	X	7.13"	X	38.31	22.38	31.00
C	X	X	X	X	X	X	X	X	X	X
D	X	X	X	X	X	X	X	X	X	X
E	X	X	X	X	X	X	X	X	X	X
F	X	X	X	X	X	X	X	X	X	X
TOTAL		16	32	16	X					

DRAWING MUST BE APPROVED PRIOR TO FABRICATION OF THE SYSTEM.

SIGNED BY: _____

DATE: _____

MULTI-SHIFTER, INC.	
SINGLE LEVEL DC POWERED SINGLE SIDED	
SCALE: None	DATE:
DRAWN BY: T.Jones	REVISED:
DISTRIBUTED BY:	DRAWING NO.