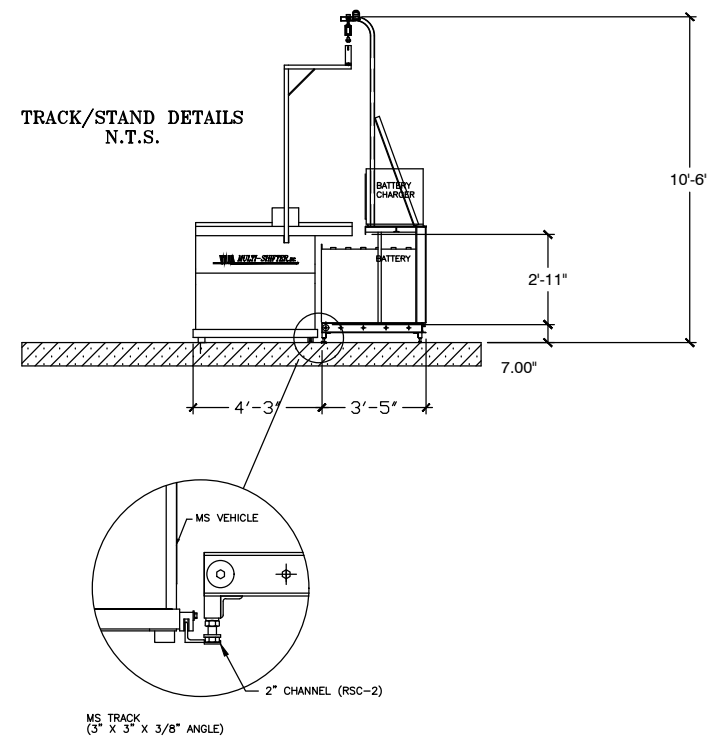


TRACK/STAND DETAILS
N.T.S.



GENERAL NOTES:
ALL DIMENSIONS UNLESS OTHERWISE SPECIFIED ARE IN INCHES.
BATTERY DECALS SHOULD BE LOCATED AWAY FROM AREA OF MAGNET CONTACT.

SYSTEM SPECIFICATIONS:
TO ENSURE PROPER SYSTEM OPERATION
CONCRETE LOAD CAPACITY - 3000 PSI
FLOOR SURFACE AT DRIVE WHEEL MUST BE CLEAN AND DRY.
CHARGER HOOKUP FOR MS4-14 230/480 VOLT AC SINGLE PHASE, 7.0/3.0 AMP.
CHARGER SHELF - 24" DEEP
DOUBLE STACKING OF CHARGERS ACCEPTABLE.
QUANTITIES AND DIMENSIONS MAY AFFECT CHARGER TO BATTERY RELATIONSHIP.
ALTERNATE BATTERY STORAGE CONFIGURATIONS AVAILABLE UPON REQUEST.
VEHICLE GUIDE PATH MUST BE LEVEL + OR - 1/4" IN 10 FEET.

EQUIPMENT DESCRIPTION										
MS4-14AC-A1-6.5-23.5-MAG-DC										
BATTERY DESCRIPTION										
TYPE	TRUCK MAKE & MODELS	QTY. TRUCKS	TOTAL BATTs.	QTY. STORED	FUTURE STORED	ROLLER HEIGHT	BATTERY WEIGHT	BATTERY LENGTH	BATTERY WIDTH	BATTERY HEIGHT
A	RAYMOND 5600 OP	4	8	4	X	7"	1800	38.00	13.00	30.00
B	RAYMOND 7500 REACH	9	18	9	X	7"	2500	38.00	15.00	31.00
C	RAYMOND 4150 STAND UP	8	16	8	X	7.5"	2500	38.00	15.00	31.00
D	RAYMOND 9600 SWING REACH	4	8	4	X	12.25"	3200	44.00	23.00	31.00
E	X	X	X	X	X	X	X	X	X	X
F	X	X	X	X	X	X	X	X	X	X
TOTAL		25	50	25	X					

DRAWING MUST BE APPROVED PRIOR TO FABRICATION OF THE SYSTEM.

SIGNED BY: _____

DATE: _____



SINGLE LEVEL
AC POWERED SINGLE SIDED

SCALE: None	DATE:
DRAWN BY:	REVISED:
DISTRIBUTED BY:	DRAWING NO.